

wally

# SHUTOFF VALVE

Quick Start Guide



Thank you for choosing the Wally Shutoff Valve designed to work with the Wally Starter Kit. Together they work to detect water leaks early and prevent additional damage by shutting off the water supply. Wally protects your home and gives you peace of mind.

### **Please Note**

In order to take advantage of all the capabilities of the Shutoff Valve, you must pair it with the Wally Hub from the Wally Starter Kit. Please carefully read through the following instructions to ensure proper installation and commissioning. If you have questions or run into issues during installation or operation, please contact Wally at [support@WallyHome.com](mailto:support@WallyHome.com).

- Warning! The product includes moving parts. Keep your fingers or other objects away from moving parts.
- The system should not disconnect a fire suppression water line or a fire sprinkler water line.
- The Shutoff Valve should not be installed within a metal cabinet as this may prevent it from communicating wirelessly with the Wally Hub.

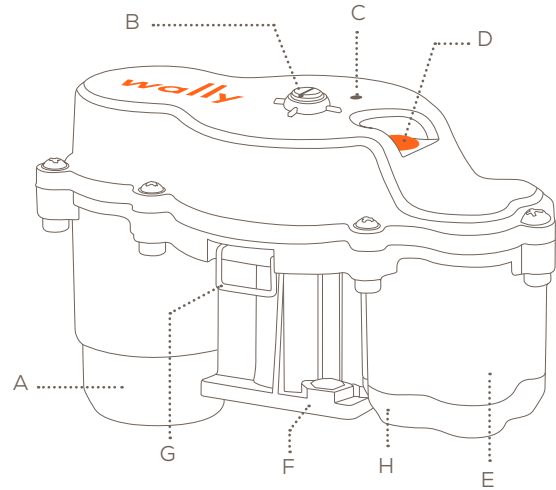
### **Wally System**

The Shutoff Valve works with the Wally Hub and Sensor to detect and prevent water leaks. When a Sensor detects a leak, the Shutoff Valve turns off the main water supply to prevent additional damage. Your Wally system can be configured to use any Wally Sensors you have installed in your home to trigger the Shutoff Valve off. Users may also open or close the Shutoff Valve by pressing once on the orange button.

## Shutoff Valve Specification

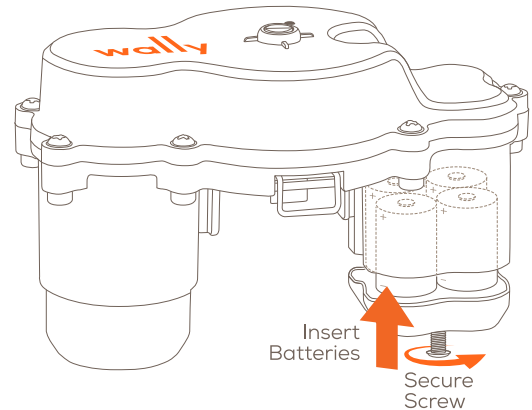
Dimensions	5.625 in x 2.875 in x 3.62 in (14.3 cm x 7.3 cm x 9.2 cm)
Weight	16.4 oz (465 g)
Power supply	4 x 3 V batteries (CR123); removable compartment cover
Operation voltage	6 V
Battery life span	Up to five years, subject to the usage profile and valve use frequency. <b>NOTE:</b> Do Not Mix Old And New Batteries. Do Not Mix Alkaline, Standard (Carbon - Zinc), Or Rechargeable (Nickel Cadmium) Batteries. DO NOT DISPOSE OF BATTERIES IN FIRE. BATTERIES MAY EXPLODE OR LEAK.
Operating RF	2.4 GHz
Transmission range	Open space - up to 750 ft (230 m). When a wall is within the space - up to 390 ft (120 m). To avoid poor wireless communication, avoid installation within metal cabinets
Compliant to	FCC/IC
IP Rating IEC60529	IP68 - Dust and water tight and can be submerged
Working temperature	-4 to +122 °F (-20 to +50 °C)
Actuator mounting pad	ISO5211
Mounting	Horizontal or perpendicular to the water main

- A. Shutoff Valve motor
- B. Motor stem position window
- C. LED Indicator
- D. Multipurpose button
- E. Battery housing
- F. Mounting fitting
- G. Lock
- H. Battery cover



## Installing batteries in the Shutoff Valve

1. Loosen the screw from the bottom of the battery compartment.
2. Remove batteries from the clear plastic wrap and install with the positive end towards the top of the valve as shown
3. Replace the battery cover and tighten the screw to ensure a waterproof seal.
4. The Shutoff Valve will perform a self-test and the motor stem will turn.



## Mounting the Shutoff Valve

1. Locate the most suitable place for installation on the water line.
2. Locate the water shutoff to your home and turn it off.
3. Mount the appropriate mounting adapter to the Shutoff Valve and install it on the mounting pad using the attached screws, washers and nuts provided.
4. Once the Shutoff Valve is installed, push the lock inwards until it reaches a mechanical limit.



**Parallel Mounting**  
using the long  
mounting adapter



**Perpendicular Mounting**  
using the short  
mounting adapter

## Pairing the Shutoff Valve to Wally

1. Open up the Wally app on your mobile device (iOS or Android) or download it from the Apple Store or Google Play Store.
2. Press and hold the button on the Shutoff Valve until the LED flashes green.
3. From the Dashboard in the Wally app, tap "Add Product" and follow the instructions.
4. When the Shutoff Valve has successfully paired, the LED will stop flashing and the Wally app will show a new tile on the Dashboard for the Shutoff Valve. You may tap the Shutoff Valve tile to view more information and to control the valve remotely.

## Shutoff Valve Alignment Reset

Performing a Shutoff Valve alignment is necessary in order to indicate to the Wally Cloud that the Shutoff Valve is in the "CLOSED" position and thus prevents water from flowing.

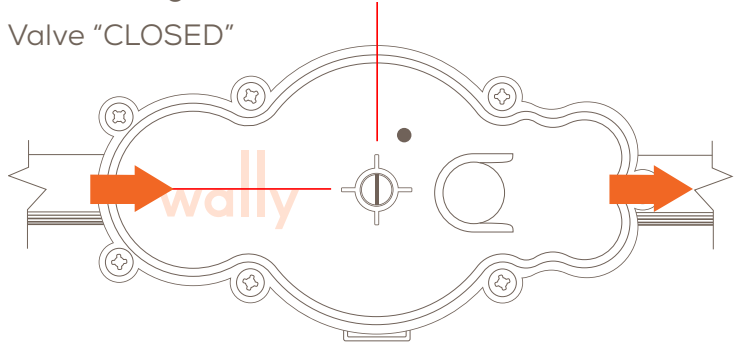
1. Align the slot on the top part of the Shutoff Valve motor stem perpendicular to the water flow direction by single pressing the button until the flow of water has stopped and the slot is perpendicular.
2. Set the closed state by pressing the button 5 times. This will program the Shutoff Valve to know which way is closed versus open.
3. Once the alignment is reset, toggle the Shutoff Valve to the "OPENED" position manually by manually pressing the orange button once.

See alignment diagrams on reverse side.

# Alignment Diagrams

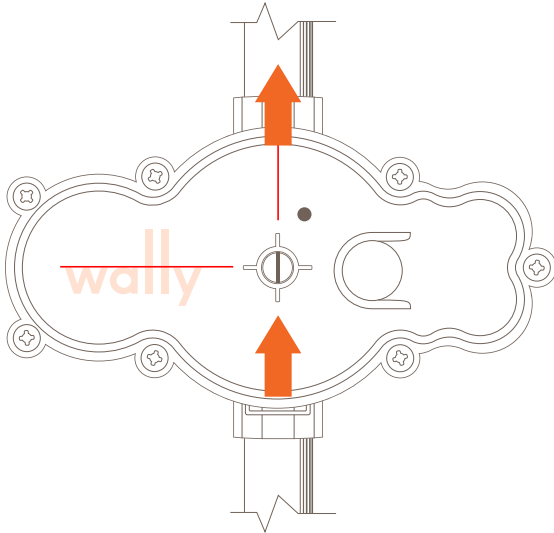
## Parallel Alignment

Valve "CLOSED"



## Perpendicular Alignment

Valve "OPEN"



Note: The valve stem will be perpendicular to the flow of water when the Shutoff Valve is closed.

Make sure to have the mounting adapter slot in the same position as the valve stem during installation.

## Shutoff Valve Button and LED Behavior

Button Behavior	Action	LED Behavior
Press and Hold	Pair or Un-pair the Shutoff Valve	Flashes green to indicate it is in pairing mode
Single Press	Manually Open or Close your Shutoff Valve	Flashes Orange (good) or Red (bad) to indicate network status and completion of the open or close
Double Press	Check Network Status	Flashes Orange for good network connectivity or Red if the network connectivity is bad or unavailable
5 Presses	Set Closed Alignment	Flashes Blue

Download the Wally® app or go to [my.WallyHome.com](https://my.WallyHome.com) and follow the instructions to connect your Shutoff Valve! Visit [WallyHome.com/FAQ](https://WallyHome.com/FAQ) for additional support.



The App Store is a registered trademark of Apple Inc.

Android, Google Play, and the Google Play logo are trademarks of Google Inc.

